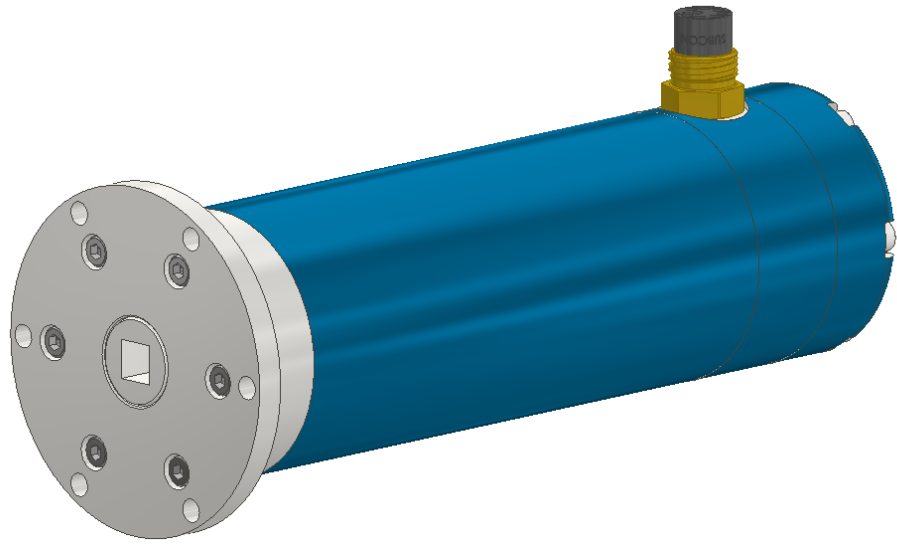
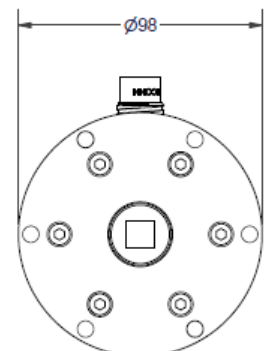
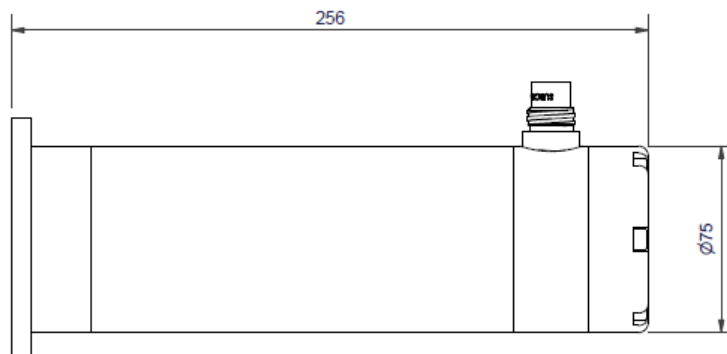


## SUBSEA ELECTRICAL VALVE ACTUATOR 25NM

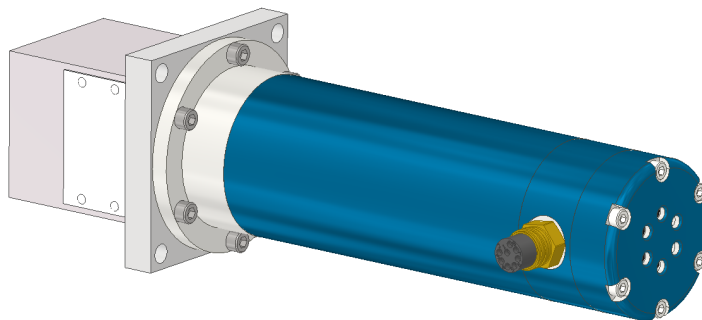


### Key Features

<b>General</b>	Specially designed subsea electrical valve actuator for subsea rotary control valves and other smallbore valve applications.
<b>Flexible Configuration</b>	User configurable speed, acceleration, torque and end positions. Configurable as multiturn, quarter turn or user defined. Manual and auto homing with retained positions after power down.
<b>Failsafe Functionality</b>	Configurable failsafe operation on loss of power and/or communication. <ul style="list-style-type: none"> <li>- Fail safe close</li> <li>- Fail safe open</li> <li>- Fail as is</li> <li>- Fail to configured position</li> </ul>



# SUBSEA ELECTRICAL VALVE ACTUATOR 25NM



<b>Operational Depth</b>	3000 m
<b>Temperature Rating</b>	Operational: -5 to +40 °C Storage: -18 to +50 °C Electronics qualification: -18 to +70 °C
<b>Output Speed</b>	Configurable: 0-5 RPM
<b>Operational torque</b>	0-25Nm nominal torque range 32Nm maximum torque
<b>Dimensions (typical)</b>	Ø95 x 256 (Without connector)
<b>Weight (typical)</b>	8kg (Stainless steel, dry weight)
<b>Connector</b>	SubConn MCBH8F as standard Others dry-mate and wet-mate available on request

## Controller

<b>General</b>	Due to the actuators small size, the actuator controller must be installed in a separate atmospheric or oil filled pressure compensated enclosure. A control canister can control multiple subsea electrical valve actuators.
<b>Valve Configuration</b>	Configurable as: Quarter turn, multiturn or step
<b>Communication Interfaces</b>	<ul style="list-style-type: none"> <li>- SIIS Level 1 (4-20mA)</li> <li>- SIIS Level 2 (CANbus)</li> <li>- SIIS Level 3 (Ethernet, Modbus TCP)</li> <li>- RS-232 and RS-485, Modbus RTU</li> </ul>
<b>Input Voltage</b>	24 or 48V DC (Others on request)